

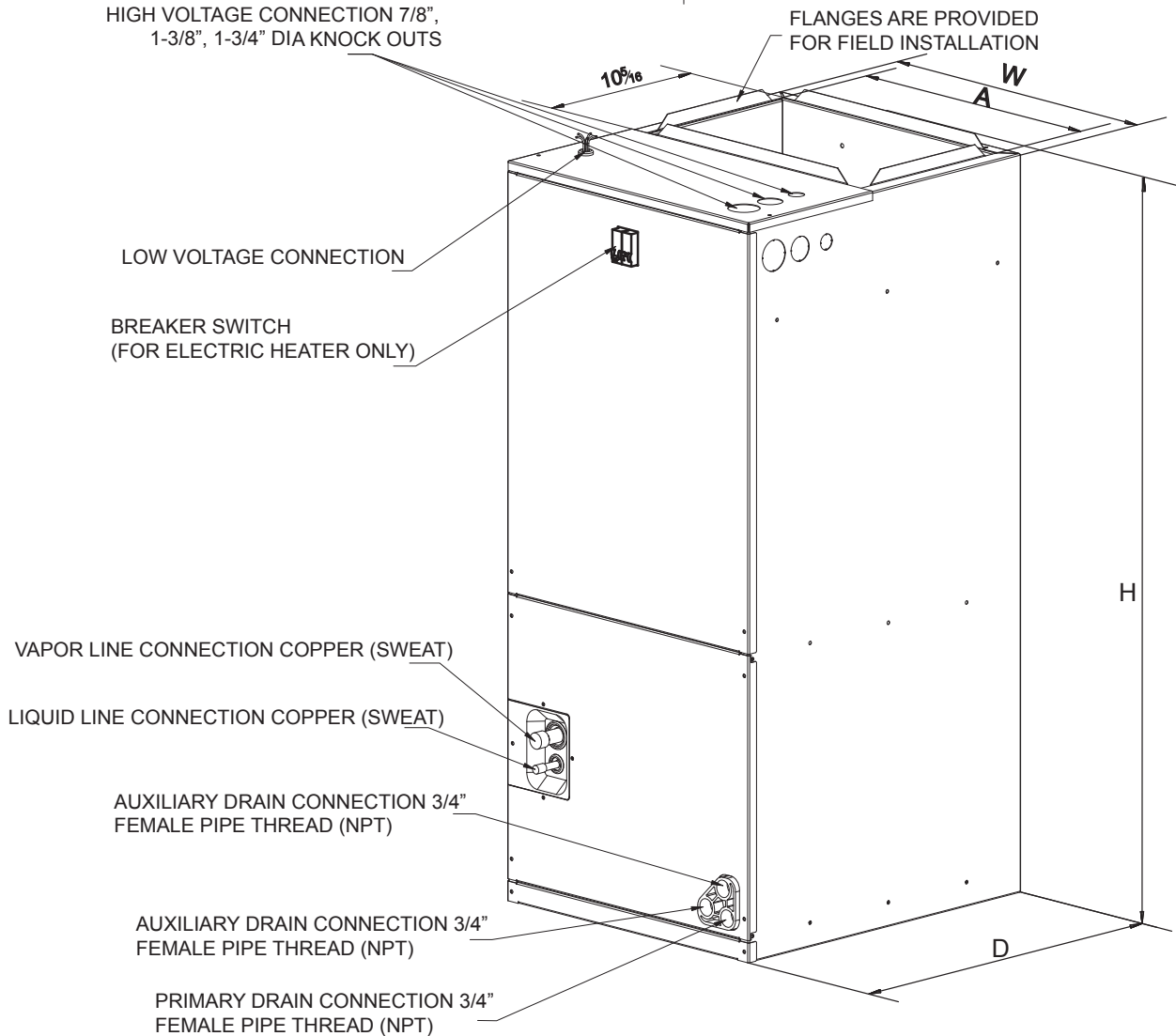
TAG: \_\_\_\_\_

**SUBMITTAL**

**2.5 Ton  
Multi-position Air Handler  
J4AH4P30A1B00AA**

ELECTRICAL CONNECTIONS  
MAY EXIT TOP OR EITHER SIDE

NOTE: 25" CLEARANCE IS REQUIRED IN THE FRONT  
OF THE UNIT FOR FILTER AND COIL MAINTENANCE.  
SUPPLY AIR



UPFLOW UNIT SHOWN;  
UNIT MAY BE INSTALLED UPFLOW, DOWNFLOW,  
HORIZONTAL RIGHT, OR LEFT AIR SUPPLY.

NOTE: All dimensions are in mm/inches.

Model	H	W	D	A
J4AH4P30A1B00AA	1180 (46-1/2)	500 (19-5/8)	550 (21-5/8)	456 (18)

## PRODUCT SPECIFICATIONS

### PRODUCT SPECIFICATIONS

MODEL	J4AH4P30A1B00AA
RATED VOLTS/PH/HZ.	208-230/1/60
RATINGS	See O.D. Specifications
INDOOR COIL — Type	Plate Fin
Rows — F.P.I.	4 - 17
Face Area (sq. ft.)	4.01
Tube Size (in.)	9/32
Refrigerant Control	Orifice
Drain Conn. Size (in.)	3/4 NPT
DUCT CONNECTIONS	See Outline Drawing
INDOOR FAN — Type	Centrifugal
Diameter-Width (In.)	10-5/8 X 10-3/4
No. Used	1
Drive - No. Speeds	Direct - 3
CFM vs. in. w.g.	See Fan Performance Table
No. Motors — H.P.	1 - 1/5
Motor Speed R.P.M.	903
Volts/Ph/Hz	208-230/1/60
F.L. Amps	1.8
FILTER	
Filter Furnished?	No
Type Recommended	Throwaway
No.-Size-Thickness	1 - 18X 20 - 1 in.
REFRIGERANT	R-410A
Ref. Line Connections	Brazed
Coupling or Conn. Size — in. Gas	3/4
Coupling or Conn. Size — in. Liq.	3/8
DIMENSIONS	H x W x D
Crated (In.)	47-4/5 x 22-3/5 x 25-7/10
Uncrated	46-1/2 x 19-5/8 x 21-5/8
WEIGHT	
Shipping (Lbs.)/Net (Lbs.)	143/128



**Intertek**



Heater Kit Model Used	Electric Heat (kW)	Min. Circuit Ampacity		Max. Fuse or Breaker (HACR) Ampacity		Minimum Heating Blower Speed	
		240V	208V	240V	208V	Without HP	With HP
JAYHTR1A05BKR*	5	29	25.5	35	30	Low	Low
JAYHTR1A08BKR*	7.5	42	36.8	45	40	Low	Low
JAYHTR1A10BKR*	10	55	48.1	60	50	Low	Low
JAYHTR1A15BKR*	15	55/26.1	48.1/22.6	60/30	50/25	Low	Low

Note: Factory set at Medium Speed.

Motor Speed	AIR FLOW PERFORMANCE									
	J4AH4P30A1B00AA									
	External Static Pressure-Inches W.C. (kPa)									
		0(.0)	0.1(.02)	0.2(.05)	0.3(.07)	0.4(.10)	0.5(.12)	0.6(.15)	0.7(.17)	0.8(.20)
Low	CFM	999	953	905	847	757	681	610	543	411
Medium	CFM	1176	1127	1086	1028	944	842	746	668	569
High	CFM	1409	1359	1306	1253	1192	1108	986	870	743

# Mechanical Specifications

---

- Unique Cabinet Design
- Metal shell and glass cotton thermal insulation layer
- Multi-Position UP/Down Flow Horizontal Left /Right
- Braze in Refrigerant Connection
- Primary/Secondary Condensate Connections
- Blower with Integrated Slide Deck for Easy Removal
- Inner-groove aluminum tube and high-efficiency aluminum fin Coil with Integrated Slide Deck for Easy Removal
- More auxiliary Electric Heaters optional
- PSC 3 Speed Motor
- High Efficiency
- Integrated Horizontal Drain pans and metal Vertical Drain
- Fused 24V Power
- Suitable for Manufactured/Mobile Home Use.

**OXBOX**<sup>™</sup>  
A TRANE® BRAND



The manufacturer has a policy of continuous product and product data improvement and it reserves the right to change design and specification without notice.

**BX-PRQ-J4AH4P30A1B00A-1A**