

Installation Instructions for coils

1. Remove the mechanical fitting cap on the liquid line entering the coil.
2. Remove the existing piston, the piston housing, and the two (2) O-rings shown in Figure 2, from the mechanical fitting in the liquid line.

NOTE: Before the TXV is installed, remove the piston.

NOTE: Remove the existing Teflon O-rings from the existing liquid line connections. New supplied O-rings must be used between the TXV fittings and line fittings.

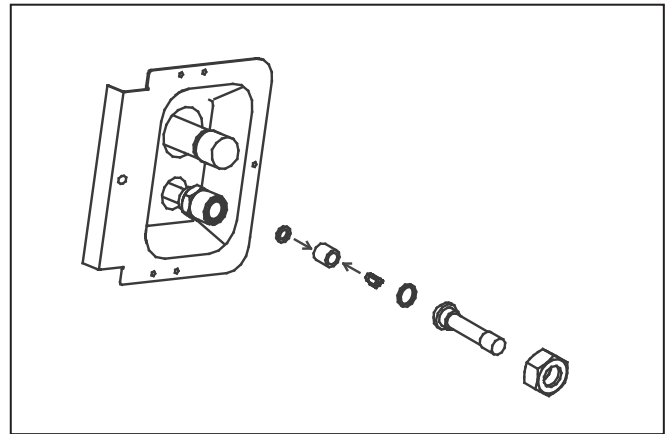


Figure 2

3. Braze the vapor line adapter to the coil refrigerant gas line. The fitting on the adapter must point upward to avoid interference with the TXV.

IMPORTANT: Wrap the adapter around the equalizer port connection with a wet rag when brazing connections to protect the braze alloy connecting the the equalizer port tube to the adapter.

4. Braze the field refrigerant gas line to the vapor line adapter.

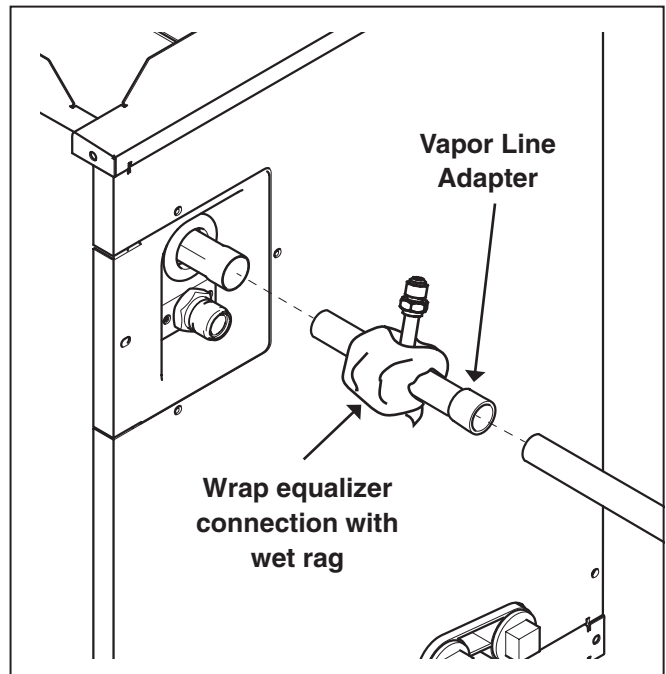


Figure 3

5. Braze the field liquid line to the liquid line tube assembly.

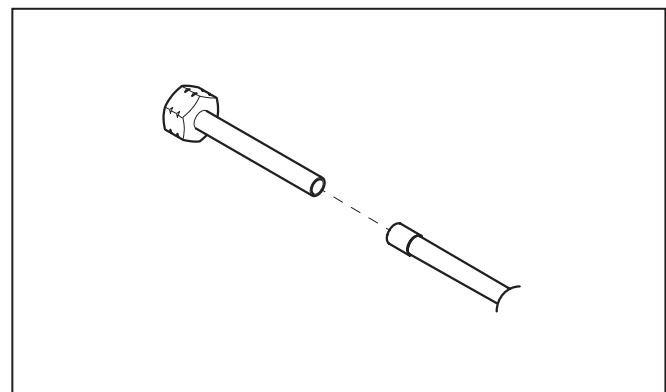


Figure 4

TXV Installation Instructions

6. DO NOT oil threads. Before installing the TXV, install one O-ring on the Liquid Line Fitting. Install the other O-ring on the Inlet Tube Assembly.
7. Connect the TXV by hand to ensure proper mating of threads. Tighten until bodies “bottom” or a definite resistance is felt. The valve will only fit in one direction of flow. Use a back-up wrench and tighten an additional 1/6 turn past finger tight.
8. Attach the Inlet Tube Assembly to the TXV. Use a back-up wrench and tighten 1/6 turn past finger tight.

IMPORTANT: Correct tightening of the couplings is very important. Under- or over-tightening may result in a coupling leak.

IMPORTANT: Finger tighten then use a back-up wrench to tighten and additional 1/6 turn.

9. Install the Equalizer Line, hand-tighten until flare bottoms, then use a back-up wrench to tighten securely an additional 1/6 turn.

IMPORTANT: Replacing the liquid line filter drier is recommended if system has been commissioned. This is not necessary if this kit is being installed on a new coil.

10. Use the supplied bulb strap to attach the sensing bulb onto a straight section of the refrigerant gas line. See Figure 6 for instructions on attaching the bulb strap. In some cases, the bulb strap is required when the new bulb size is different from the existing sensing bulb.

The entire length of the bulb must be in firm contact with the refrigerant gas line. The remote bulb tubing must not be allowed to touch a surface colder than the remote bulb location. The remote bulb tubing must be isolated from rubbing all other components.

11. Wrap the bulb with supplied insulation and secure with supplied cable tie.
12. Use the cable tie to secure the extra lengths of the capillary tubing of the equalizer and sensing bulb.

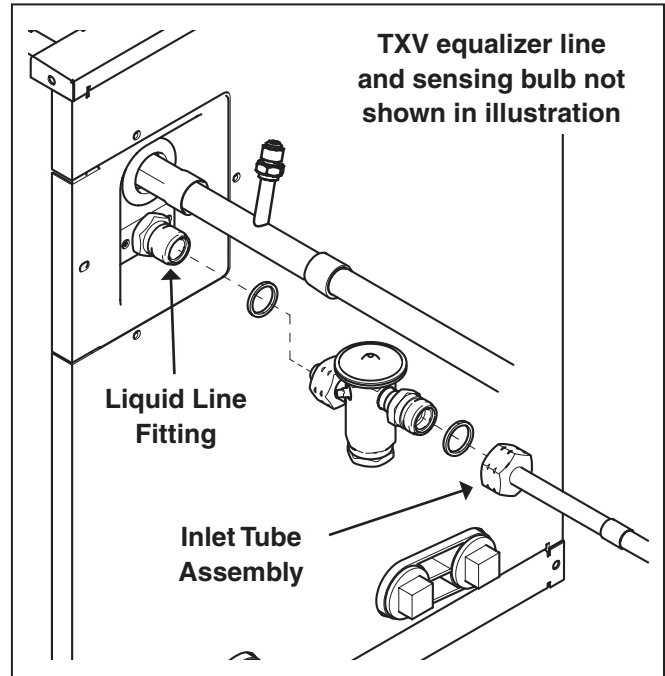


Figure 5

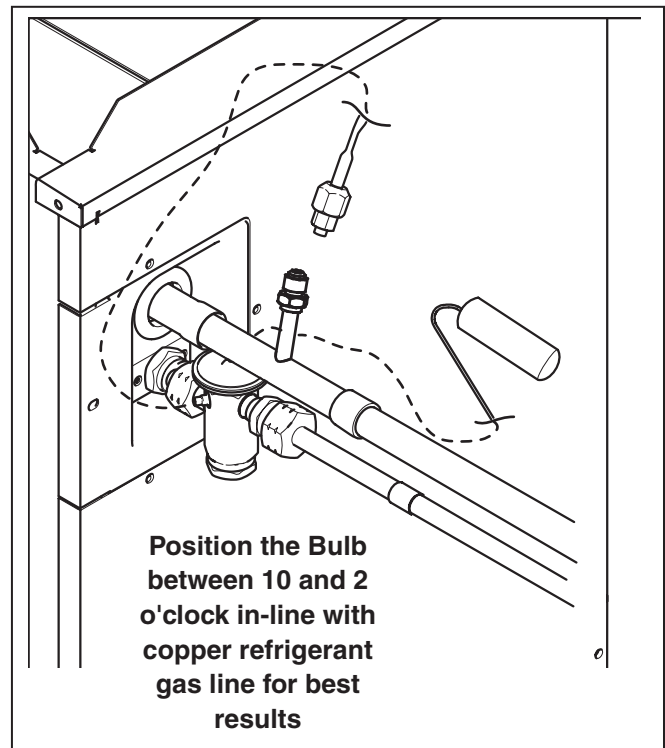


Figure 6

13. Pressurize with dry nitrogen and leak test all joints to insure no leaks exist. Evacuate system to a minimum of 500 microns.
14. Open valves to outdoor unit if pumped-down or charge to a minimum of 50 psig static pressure. Start system and charge to appropriate level per the charging method recommended in the Outdoor Unit Installer's Guide.

Make contact tight.

- Clean the suction line thoroughly before clamping the bulb in place.
- Bulb has to be mounted in tight contact with pipe. (TIP: Shine a flashlight between bulb and suction line, realign the bulb if light is visible.)
- Align the bulb with copper refrigerant gas line and position at 10 or 2 o'clock.
- Pull the bulb strap tight around the copper refrigerant gas line and bulb before tightening the screw.
- After tightening, it should not be possible to move the bulb by hand.

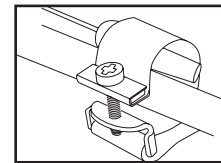
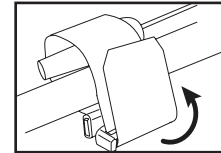
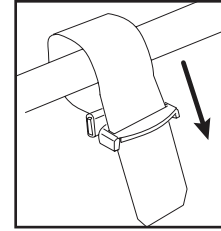


Figure 7

Installation Instructions for air handlers with factory installed orifice

1. Pull back the insulation at the fitting connection. See Figure 8.
2. Using a back-up wrench, loosen the mechanical fittings.
3. Remove the piston from the mechanical fitting in liquid line.

NOTE: Remove the piston.

4. Install new O-ring on fitting.
5. Using a back-up wrench, reattach the fittings. Tighten until bodies "bottom" or a definite resistance is felt. The valve will only fit in one direction of flow. Use a back-up wrench and tighten an additional 1/6 turn.
6. Reinstall the insulation over the fittings.

IMPORTANT: Correct tightening of the couplings is very important. Under- or over-tightening may result in a coupling leak.

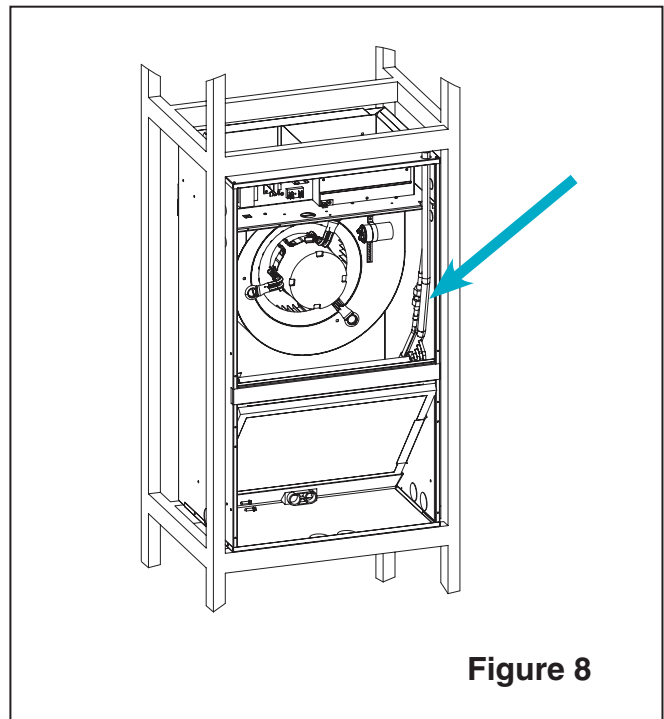
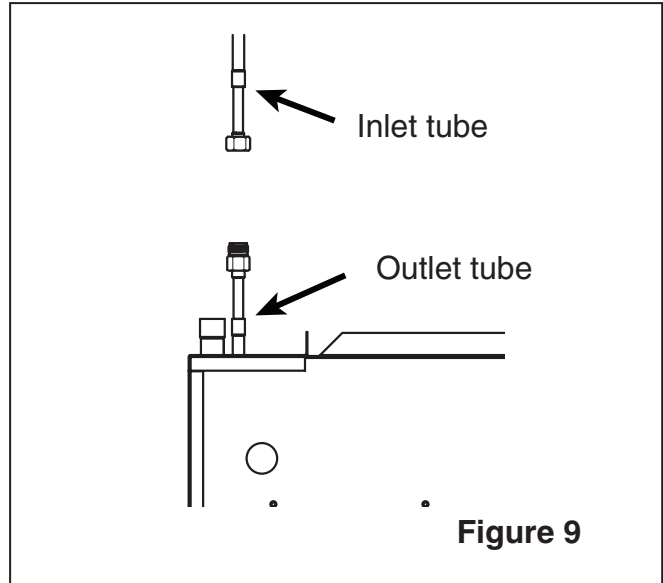


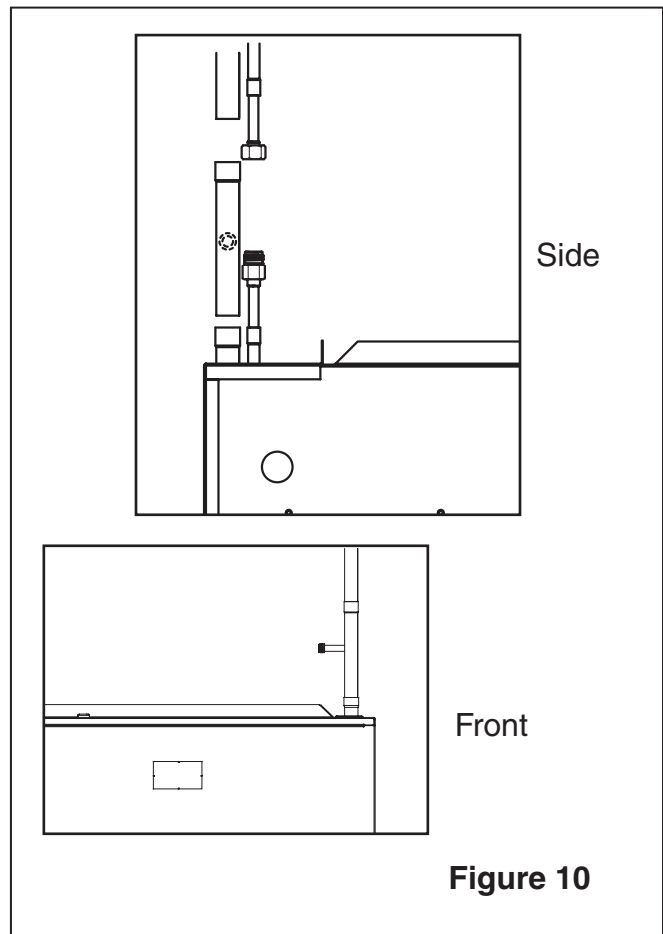
Figure 8

7. Braze the outlet tube to the unit (male fitting).
8. Braze the inlet tube assembly (female fitting) to the field refrigerant line.

IMPORTANT: For an air handler with factory installed TXV, a 3/8" coupling will be needed to braze the outlet tube and fitting.



9. Braze vapor line adapter to vapor line making sure Schrader valve is towards the left side when viewing the front of the unit.



Installation Instructions

- DO NOT oil threads. To install the TXV, install one new O-ring over the Distributor Fitting (Figure 11). Install the other new O-ring over the Liquid Line Fitting and connect the adapters by hand to ensure proper mating of threads. The new O-rings are supplied in the kit. Tighten until bodies "bottom" or a definite resistance is felt. The valve will only fit in one direction of flow. Use a back-up wrench and tighten an additional 1/6 turn.

IMPORTANT: Correct tightening of the couplings is very important. Under- or over-tightening may result in a coupling leak.

IMPORTANT: The arrow on the TXV will point downward towards unit when installed correctly.

- Install the Equalizer Line, hand-tighten until flare bottoms, then use a back-up wrench to tighten an additional 1/6 turn.
- Orient the sensing bulb with the tube exiting out the top to the vapor line extension as shown in Figure 12. Use the supplied TXV bulb strap shown in Figure 13 to secure the bulb in place. In some cases, the bulb strap is required when the new bulb size is different from the existing sensing bulb.

The entire length of the bulb must be in firm contact with the gas line. The remote bulb tubing must not be allowed to touch a surface colder than the remote bulb location. The remote bulb tubing must be isolated from rubbing all other components.

- Wrap the bulb with supplied insulation and secure with supplied cable tie.
- Use the cable tie to secure the extra lengths of the capillary tubing of the equalizer and sensing bulb.
- Pressurize with dry nitrogen and leak test all joints to insure no leaks exist. Evacuate system to a minimum of 500 microns.
- Open valves to outdoor unit if pumped-down or charge to a minimum of 50 psig static pressure. Start system and charge to appropriate level per the charging method recommended in the Outdoor Unit Installer's Guide.

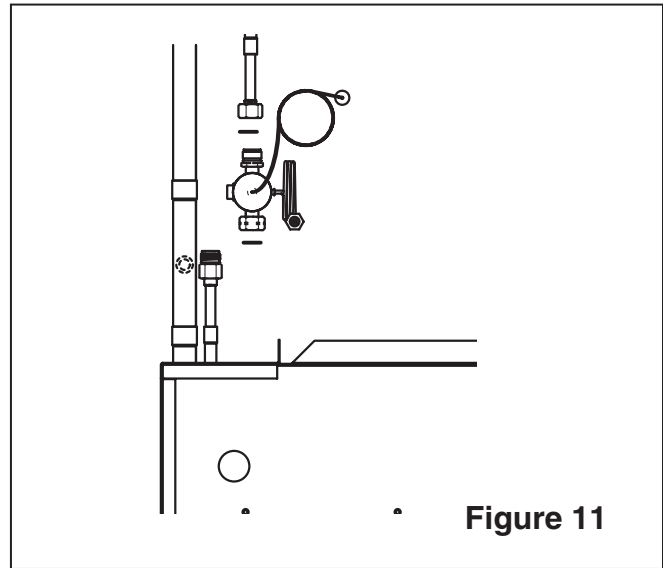


Figure 11

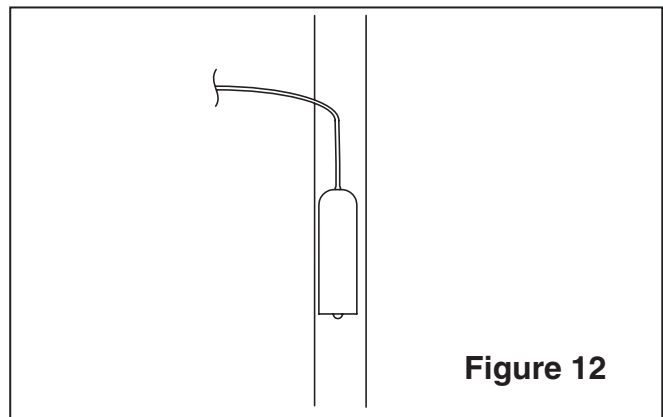


Figure 12

Make contact tight.

- Clean the suction line thoroughly before clamping the bulb in place.
- Bulb has to be mounted in tight contact with pipe. (TIP: Shine a flashlight between bulb and suction line, realign the bulb if light is visible.)
- Align the bulb with copper refrigerant gas line and position at 10 or 2 o'clock.
- Pull the bulb strap tight around the copper refrigerant gas line and bulb before tightening the screw.
- After tightening, it should not be possible to move the bulb by hand.

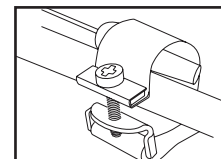
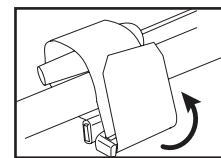
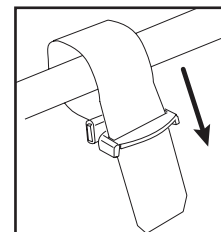


Figure 13

17. Install the R-22 label.

IMPORTANT: Install the caution label (Figure 14) on front panel of the unit.

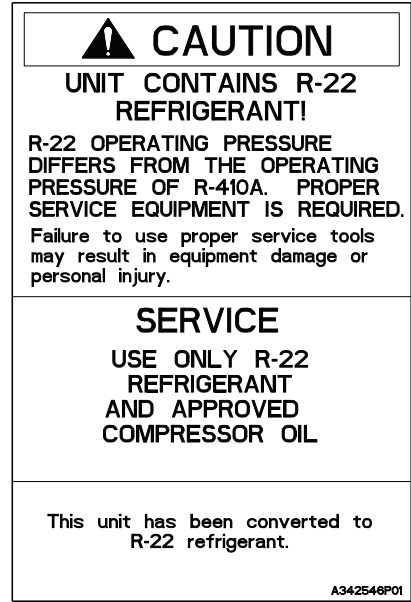


Figure 14

Installation Instructions for air handler with factory installed TXV

NOTE: For ease of install, it is recommended to remove the coil.

1. Remove the rubber block holding the liquid and vapor line together and discard. See Figure 15.
2. Remove the piece of insulation as shown in Fig. 16 and discard.
3. Use side cutters to cut the TXV cap tube as it enters the vapor line equalizer line stub out. See Figure 16.
4. Use tubing cutters and cut the liquid line in the center of the 45 degree angle below the valve. This can be seen in either Figure 15 or 16.
5. Remove the TXV and liquid line tubing leaving the air handler.
6. Braze the cap tube equalizer stub out on the vapor line.
7. Fabricate a field supplied piece of 3/8" copper tubing to extend the 3/8" liquid line from the coil through the top of the cabinet.
8. Use a field supplied 3/8" coupling and braze the liquid line.

IMPORTANT: Use a heat shield to prevent damage to the coil.

9. Insulate the liquid line between the TXV and distributor to prevent condensate formation.
10. Follow the installation instructions on page 5 starting with Step 7 to install the R-22 TXV external to the air handler.

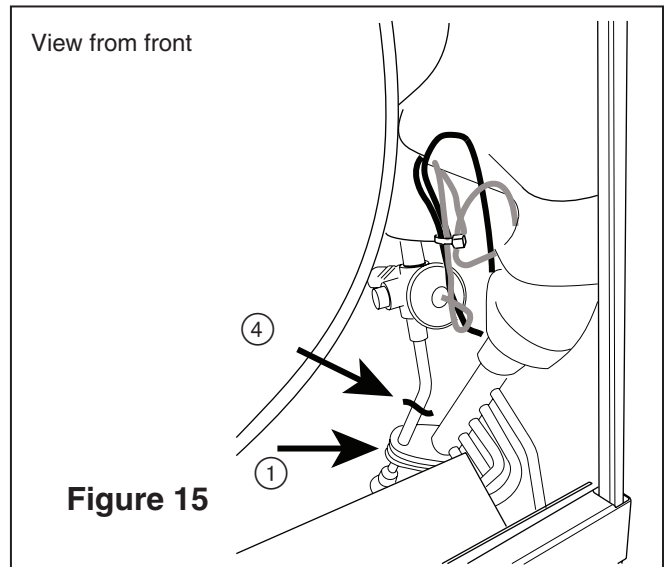


Figure 15

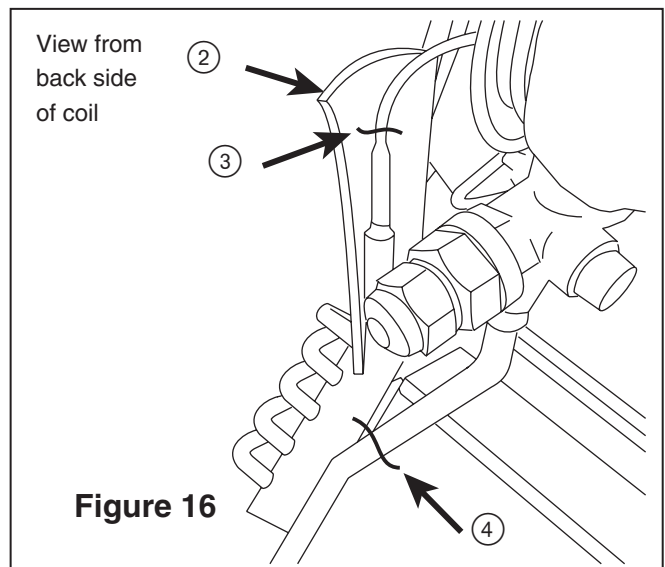


Figure 16

TXV kit Tonnage Matches

TABLE 1

Tonnage	R-22 TXV kit
1.5 - 3.0	2AYTXVH3G2436A
3.5 - 4.0	2AYTXVH3G4248A
5.0	2AYTXVH3G6000A
